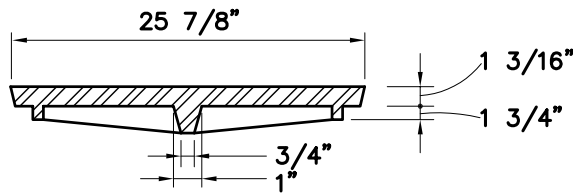
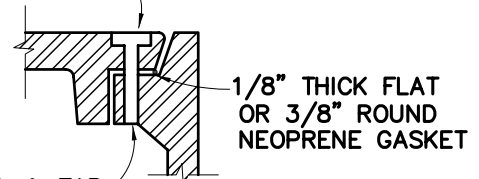


COVER CASTING

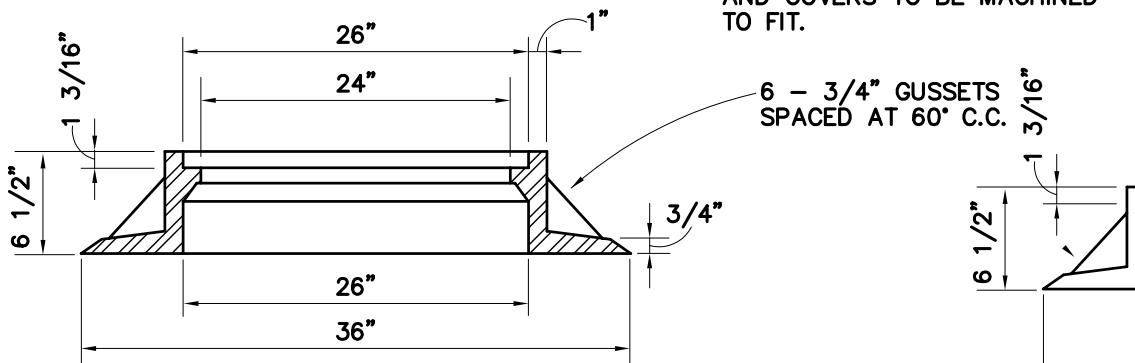


PROVIDE 4-5/8" X 2"
 HEX NUT BRONZE
 CAP SCREWS



DRILL & TAP
 (HOLES TO BE DRILLED
 COMPLETELY THROUGH FRAME)

NOTE:
 SEATING SURFACE OF FRAMES
 AND COVERS TO BE MACHINED
 TO FIT.



FRAME CASTING



CITY OF FAIRBURN, GEORGIA
 WATERTIGHT MANHOLE
 FRAME AND COVER

DATE:
 12/29/04
 DETAIL NO.
 S006