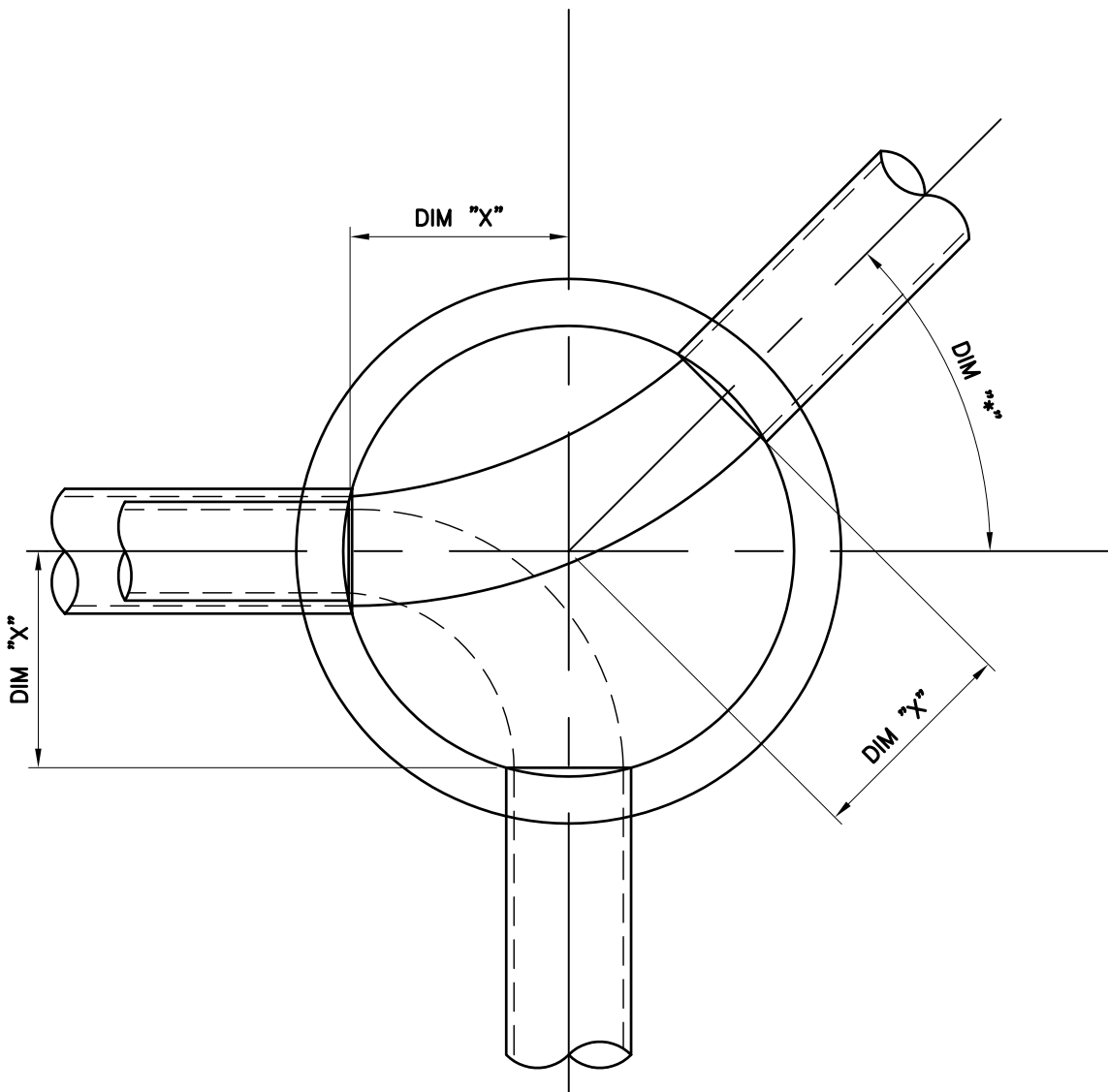


GOVERNING DIMENSIONS FOR CIRCULAR MANHOLES			
PIPE SIZE	DIMENSION *	M.H. DIA.	DIMENSION X
8" - 15"	0° - 90°	4'-0"	1'-10"
18"	0° - 60°	4'-0"	1'-8"
18"	60° - 90°	5'-0"	2'-3"
21" - 24"	0° - 60°	5'-0"	2'-2"
21" - 24"	60° - 90°	6'-0"	2'-8"
30"	0° - 45°	5'-0"	1'-11"
30"	45° - 90°	6'-0"	2'-6"
30" - 36"	60° - 90°	7'-0"	3'-0"
36"	0° - 60°	6'-0"	2'-5"



CITY OF FAIRBURN, GEORGIA
 TYPICAL SANITARY SEWER
 MANHOLE INVERT PLAN

DATE:
 12/29/04
 DETAIL NO.
 S003