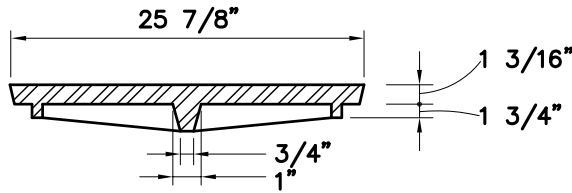
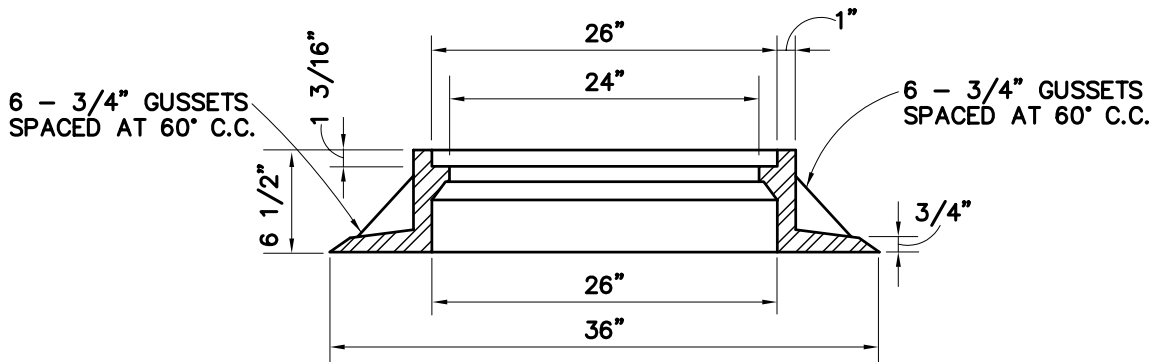


APPROX. WT. OF FRAME 200#  
 APPROX. WT. OF COVER 170 #  
 APPROX. WT. TOTAL 370#

PLAN - COVER



SECTION - COVER



SECTION - FRAME

NOTE:  
 SEATING SURFACE OF FRAMES AND COVERS TO BE MACHINED TO FIT.



CITY OF FAIRBURN, GEORGIA  
 STANDARD MANHOLE  
 FRAME AND COVER

DATE:  
 12/29/04  
 DETAIL NO.  
 S005