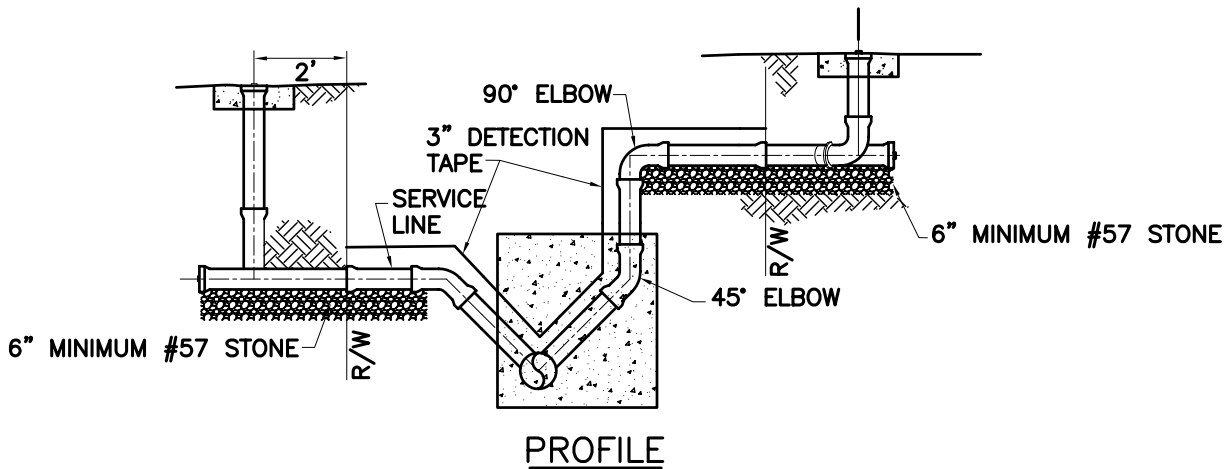


- NOTE:
1. CLEAN OUT TO BE 2' INSIDE PROPERTY LINE.
 2. RISER TO EXTEND A MINIMUM OF 4 FT ABOVE FINISH GRADE UNTIL SERVICE LINE IS TIED IN AND FINAL GRADING IS COMPLETE. AT THAT TIME IT SHALL BE CUT AND CAPPED (THREADED) AT FINISH GRADE.



CITY OF FAIRBURN, GEORGIA
SEWER SERVICE
LATERAL & CLEANOUT

DATE:
12/29/04
DETAIL NO.
S013